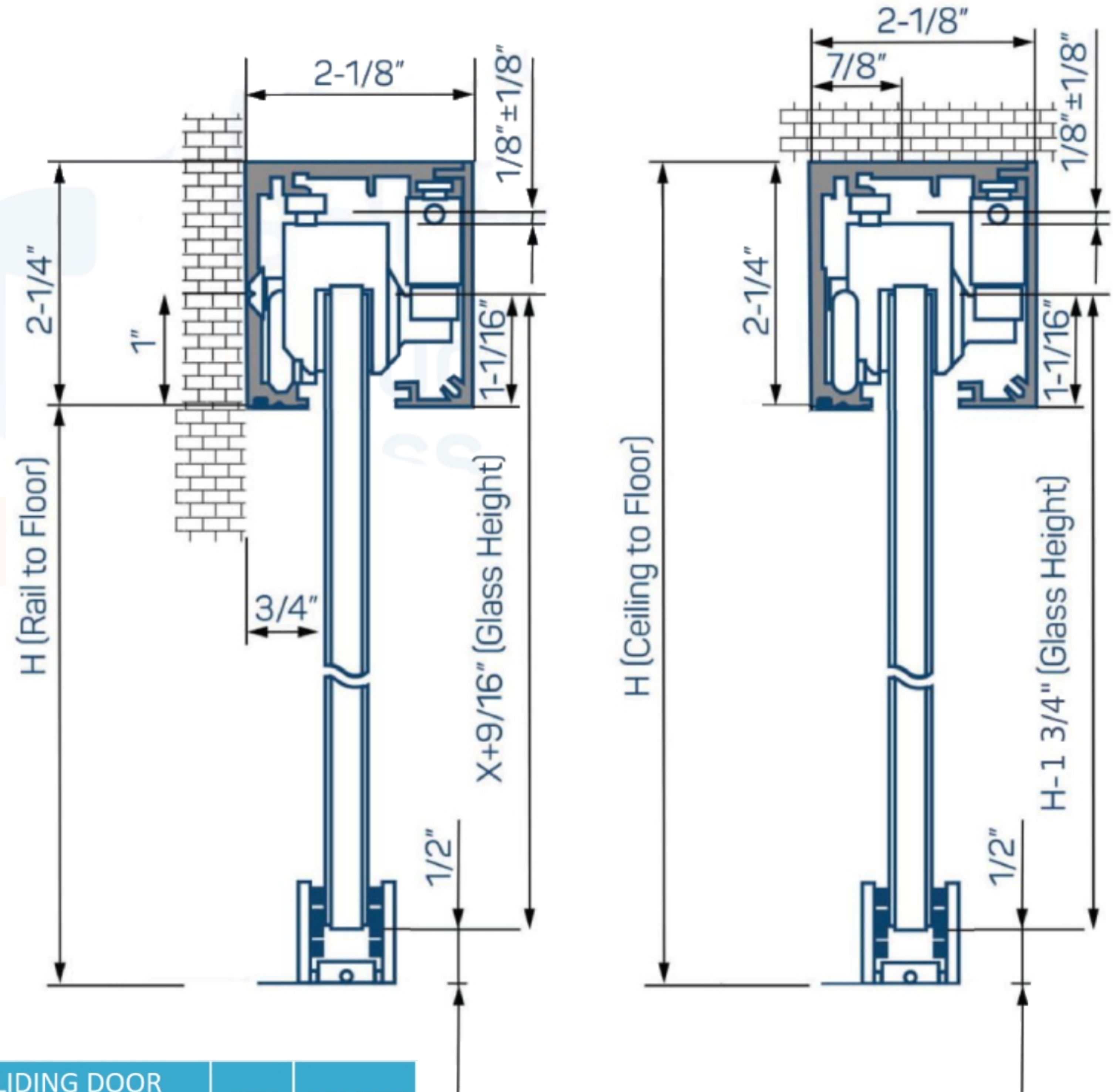
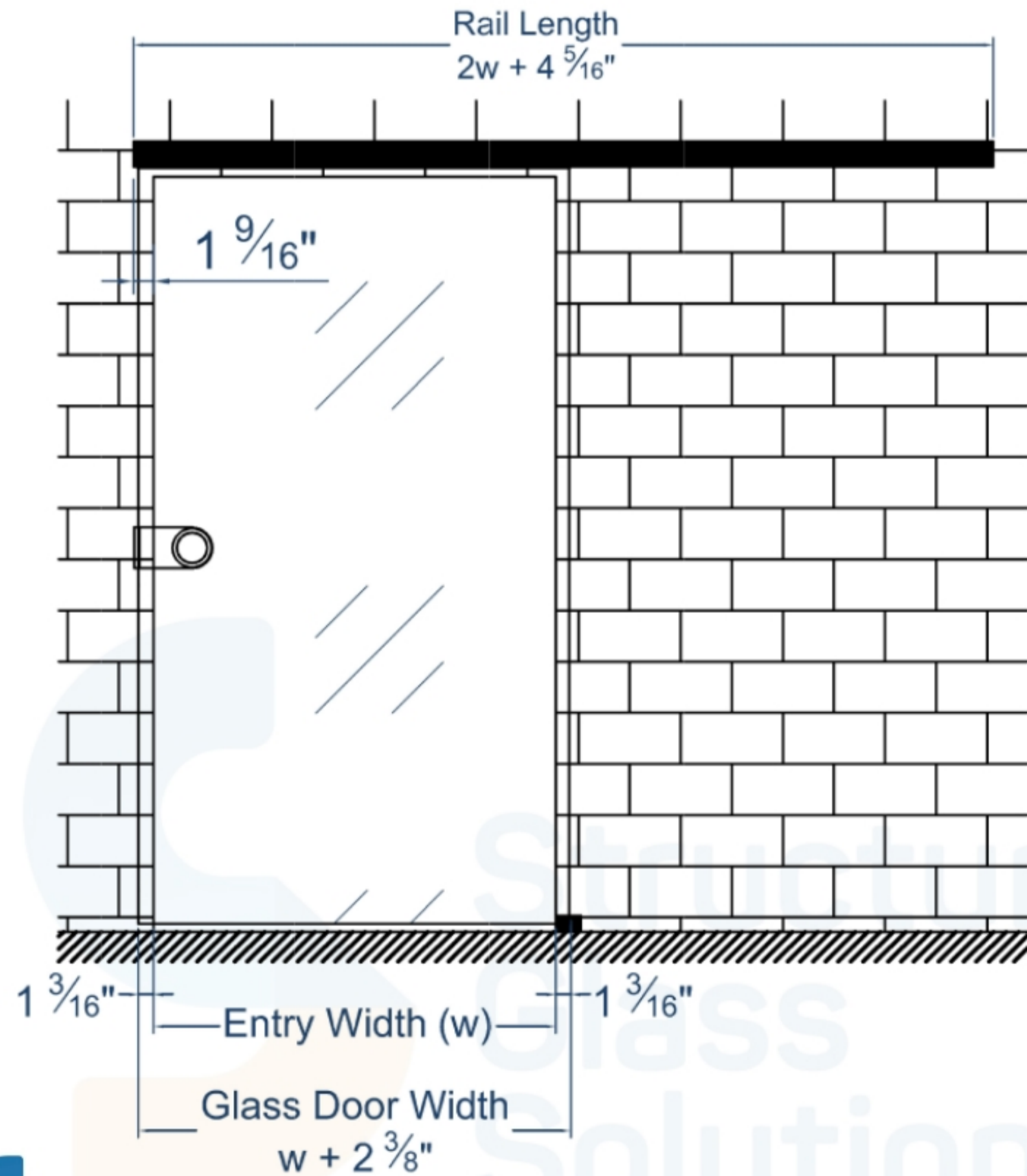


COVERT SERIES

Heavy Duty Soft Close Sliding System Standard Single Door Installation

SPECIFICATIONS

- Glass Sizes: 3/8" (10mm) to 1/2" (12mm) thick tempered safety glass
- Min. Rail Length: (2 x Opening Width) + 4-5/16"
- Min. Door Width: 29-1/2"
- Max Door Width: 55"
- Max Door Weight: 330 lbs
- Max. Height: 2.5 times the Width of the door
- Door Width = Opening Width + 2-3/8"
- Door Height = See diagram to the right



SLIDING DOOR ACCESSORIES PARTS	QTY	COVERT
Carriage	2	
Stopper	2	
End Cap	2	
Bottom Guide	1	
Soft Closing Mechanism	2	



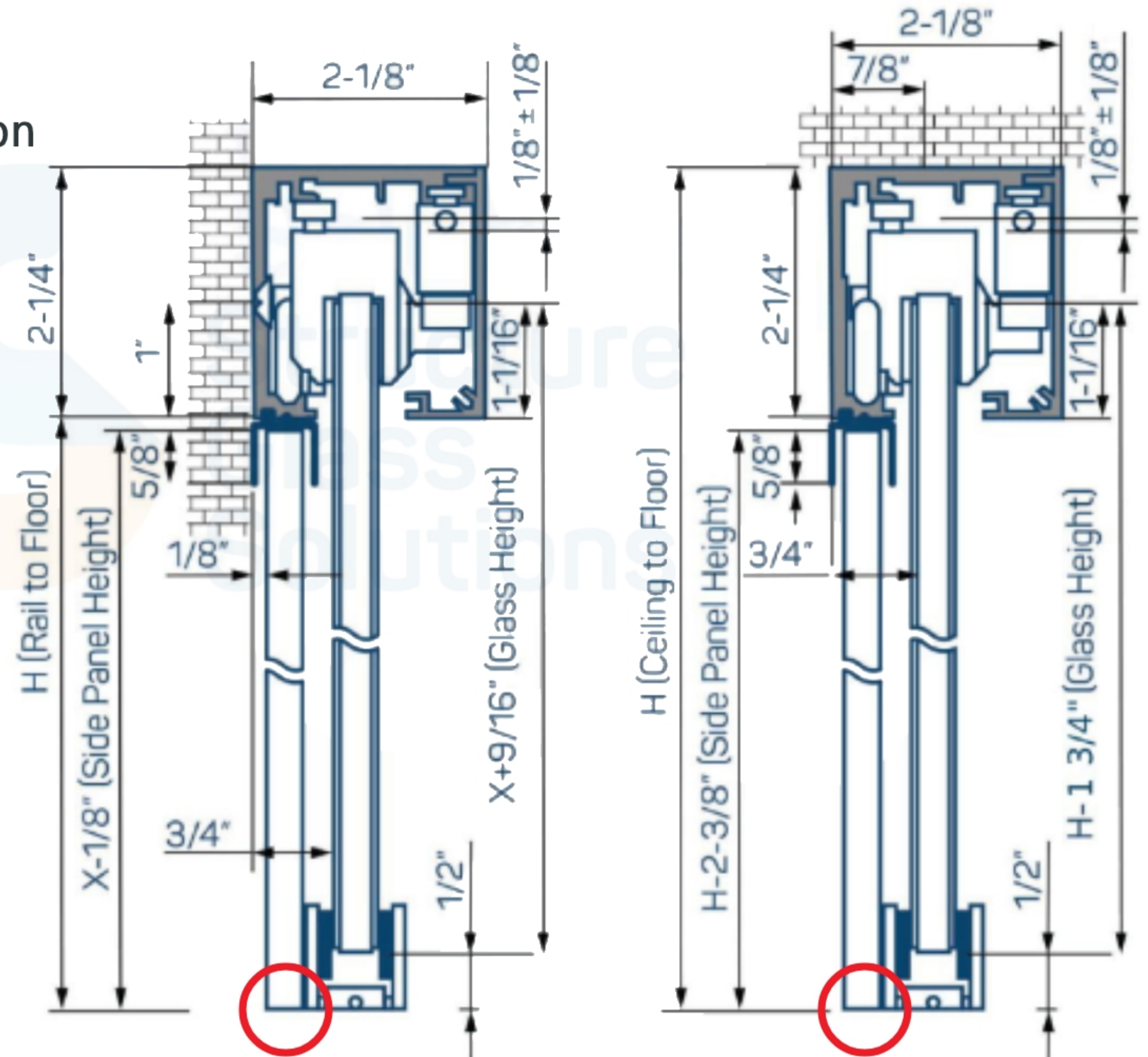
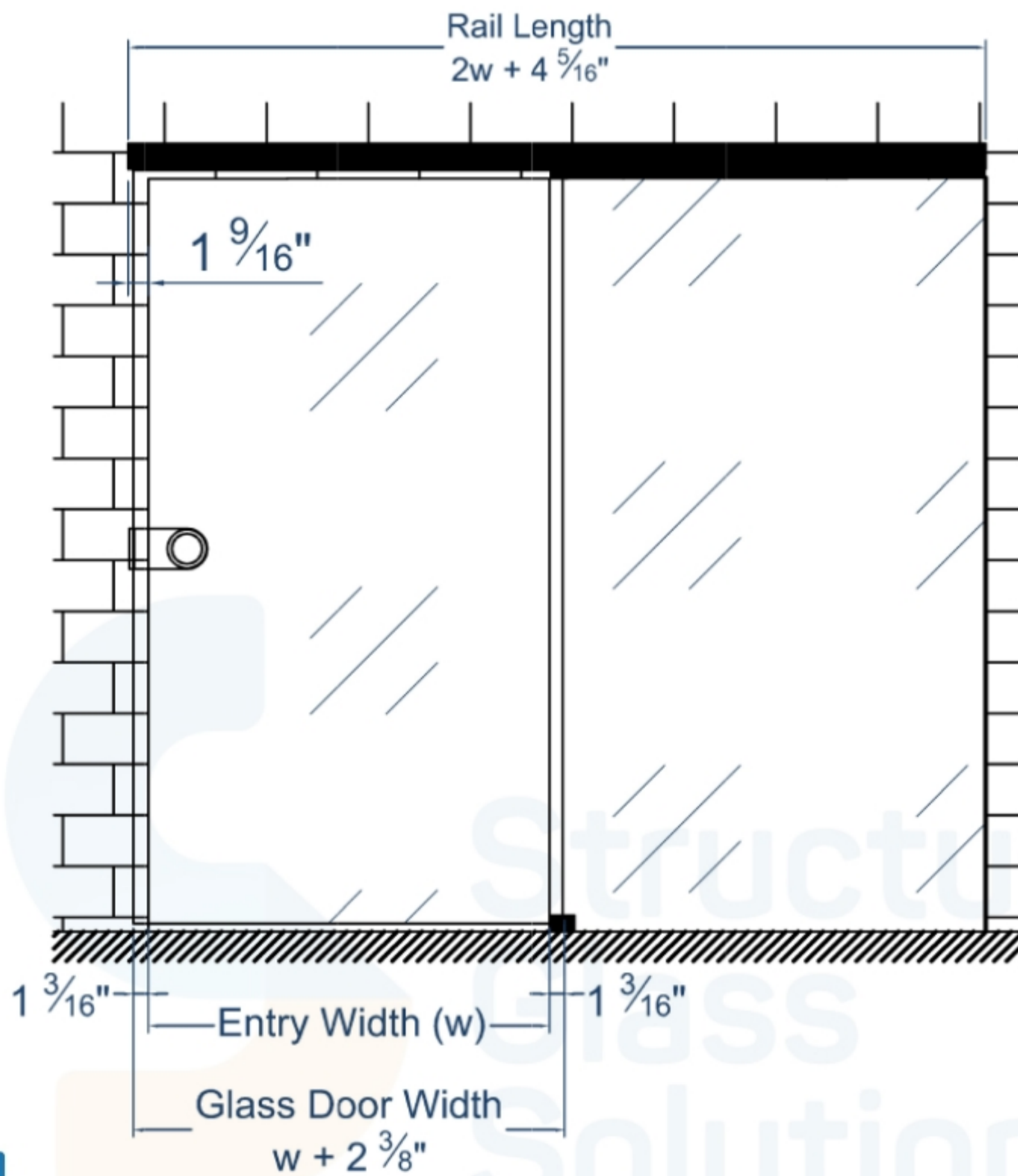
COVERT SERIES

Heavy Duty Soft Close Sliding System Standard Single Door with sidelites Installation

SPECIFICATIONS

Glass Sizes: 3/8" (10mm) to 1/2" (12mm) thick tempered safety glass
 Min. Rail Length: (2 x Opening Width) + 4-5/16"
 Min. Door Width: 29-1/2"
 Max Door Width: 55"
 Max Door Weight: 330 lbs
 Max. Height: 2.5 times the Width of the door

Door Width = Opening Width + 2-3/8"
 Door Height = See diagram to the right
 Side Panel Height = See diagram to the right



SLIDING DOOR ACCESSORIES PARTS	QTY	COVERT
Carriage	2	
Stopper	2	
End Cap	2	
Bottom Guide	1	
Soft Closing Mechanism	2	
Side U channel (51") (sold separately)	1	

! 1/2" ADDITIONAL DEDUCTION ON SIDE PANELS RECOMMENDED FOR BOTTOM U-CHANNELS

MAX 330 LBS

55" MAX WIDTH



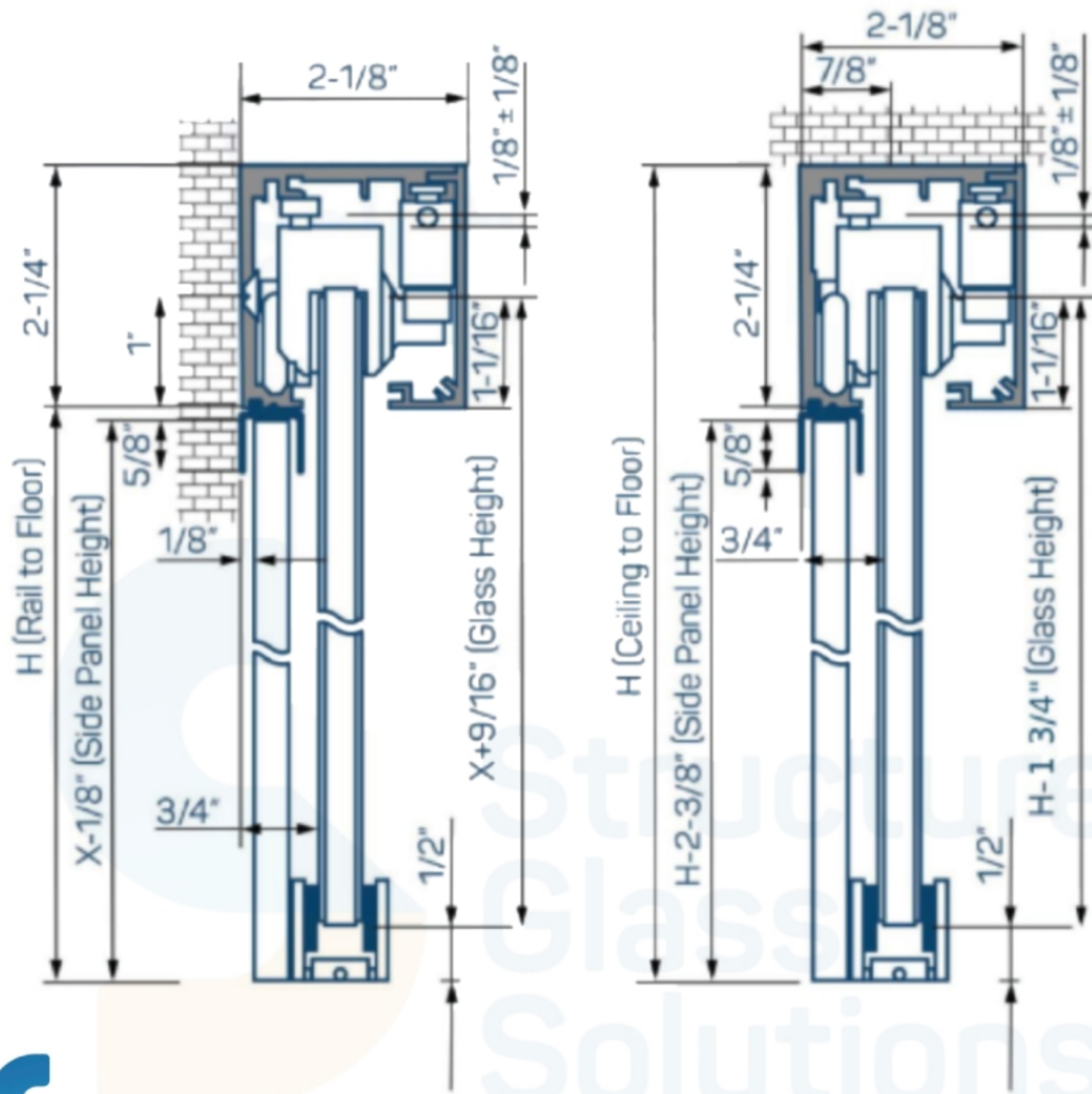
COVERT SERIES

Heavy Duty Soft Close Sliding System Standard Double Door

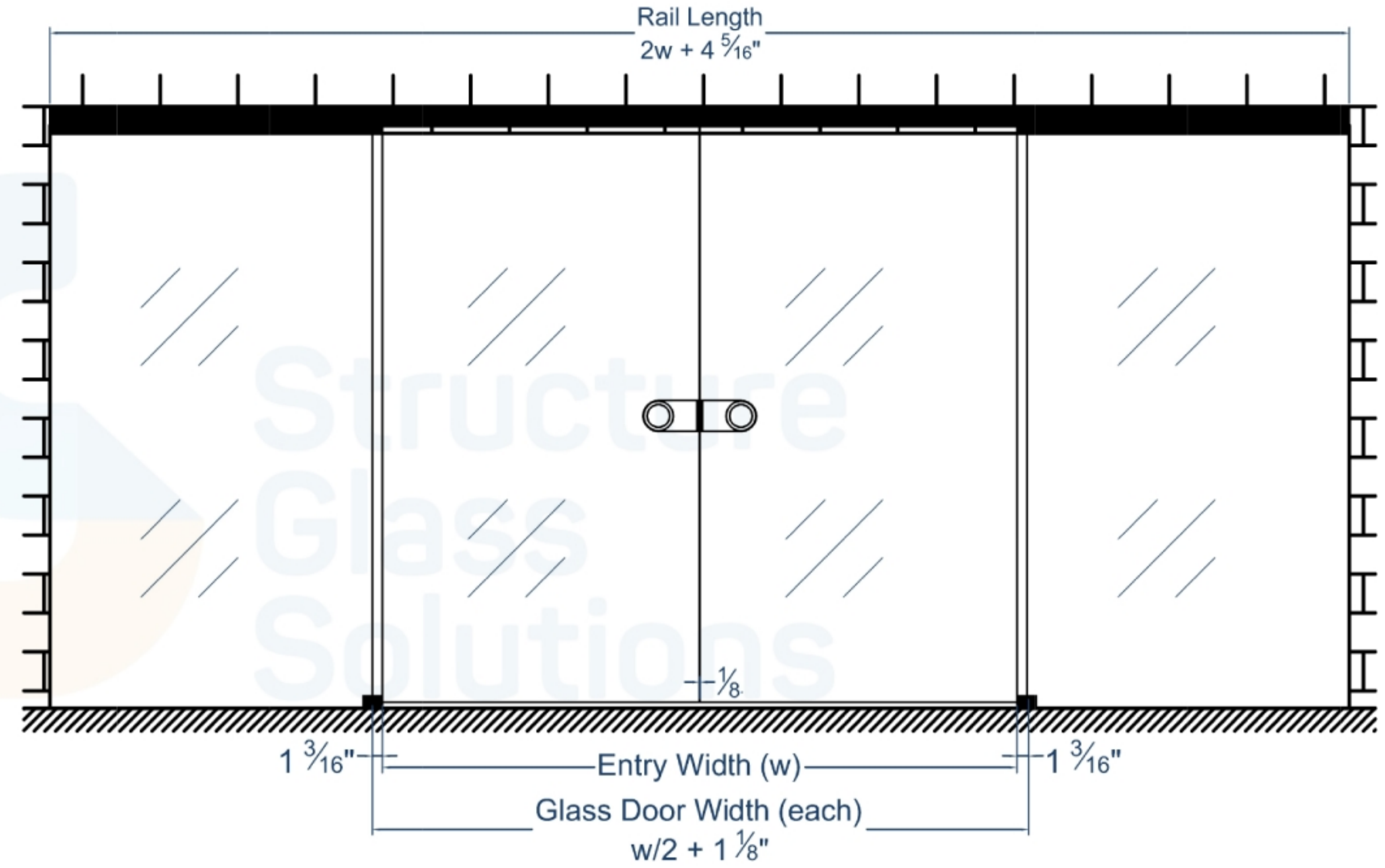
SPECIFICATIONS

- Glass Sizes: 3/8" (10mm) to 1/2" (12mm) thick tempered safety glass
- Min. Rail Length: (2 x Opening Width) + 4-5/16"
- Min. Door Width: 29-1/2"
- Max Door Width: 55"
- Max Door Weight: 330 lbs
- Max. Height: 2.5 times the Width of the door

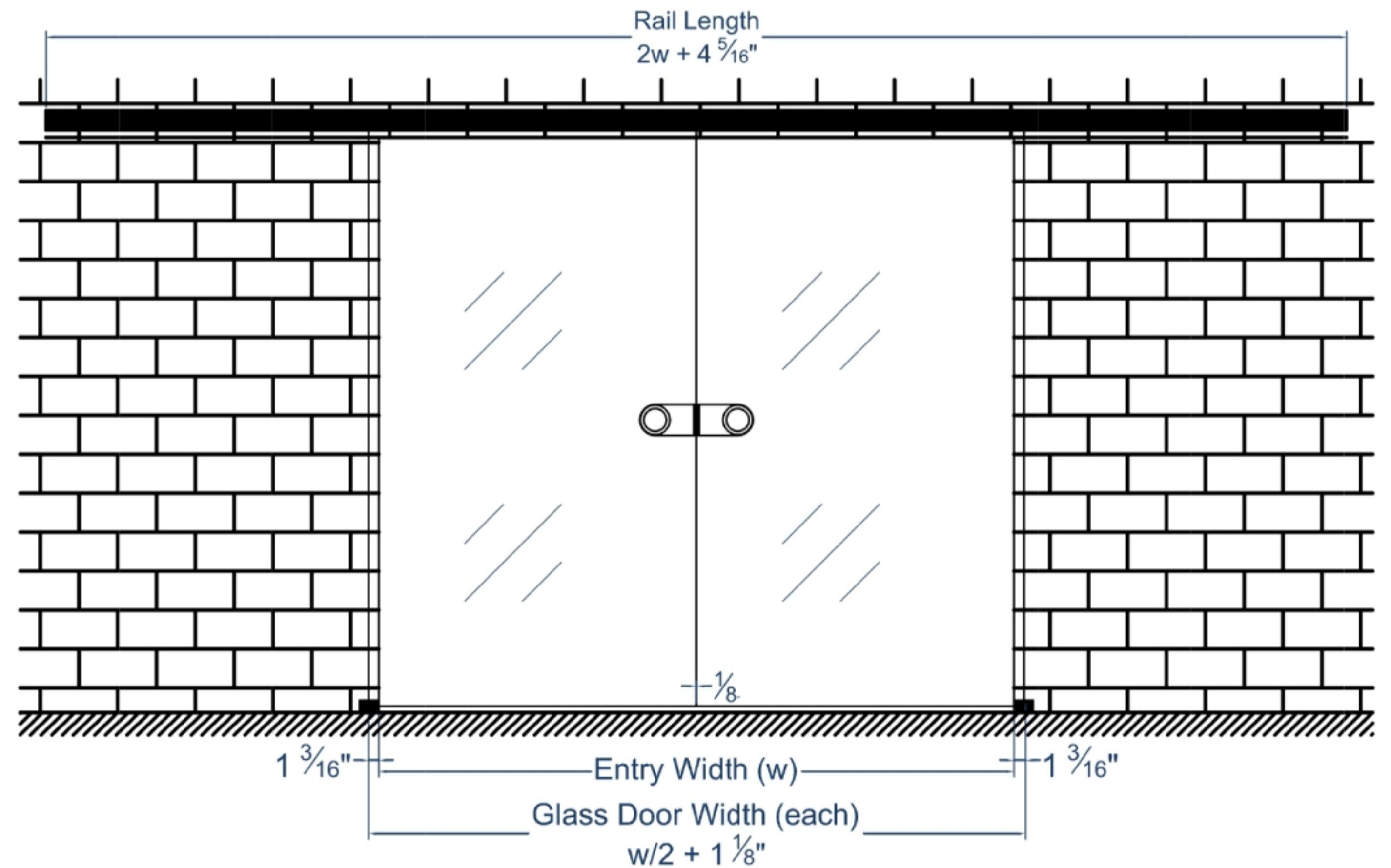
Door Width (each) = (Opening Width / 2) + 1-1/8"
 Door Height = See diagram below
 Side Panel Height = See diagram below



Double door ceiling mounted with sidelites



Double door Surface mounted



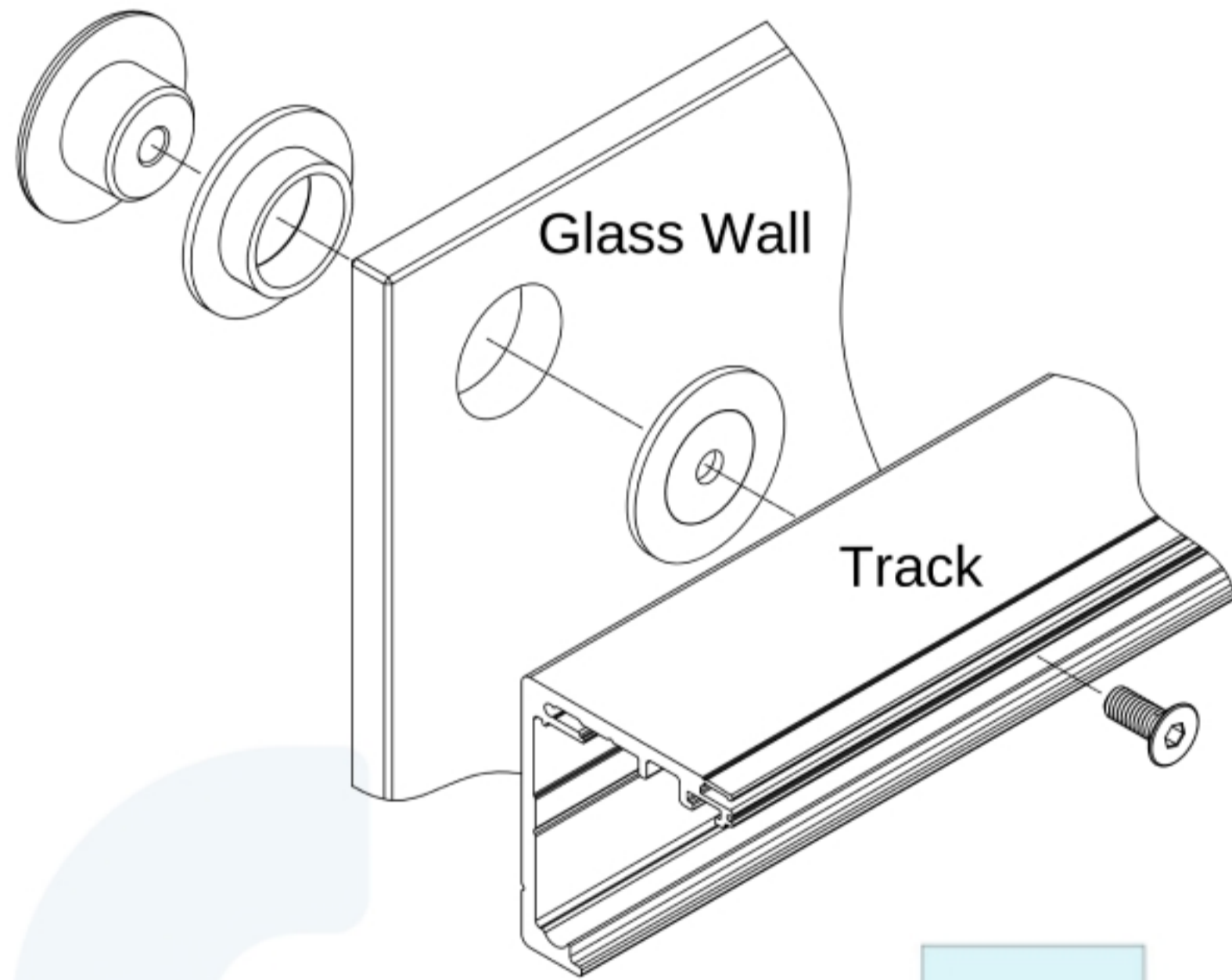
COVERT SERIES

Heavy Duty Soft Close Sliding System
Standard Glass Mounted Sliding Door

SPECIFICATIONS

- Glass Sizes: 3/8" (10mm) to 1/2" (12mm) thick tempered safety glass
- Min. Rail Length: (2 x Opening Width) + 4-5/16"
- Min. Door Width: 29-1/2"
- Max Door Width: 55"
- Max Door Weight: 330 lbs
- Max. Height: 2.5 times the Width of the door
- Door Width = Opening Width + 2-3/8"
- Door Height = See diagram to the Right

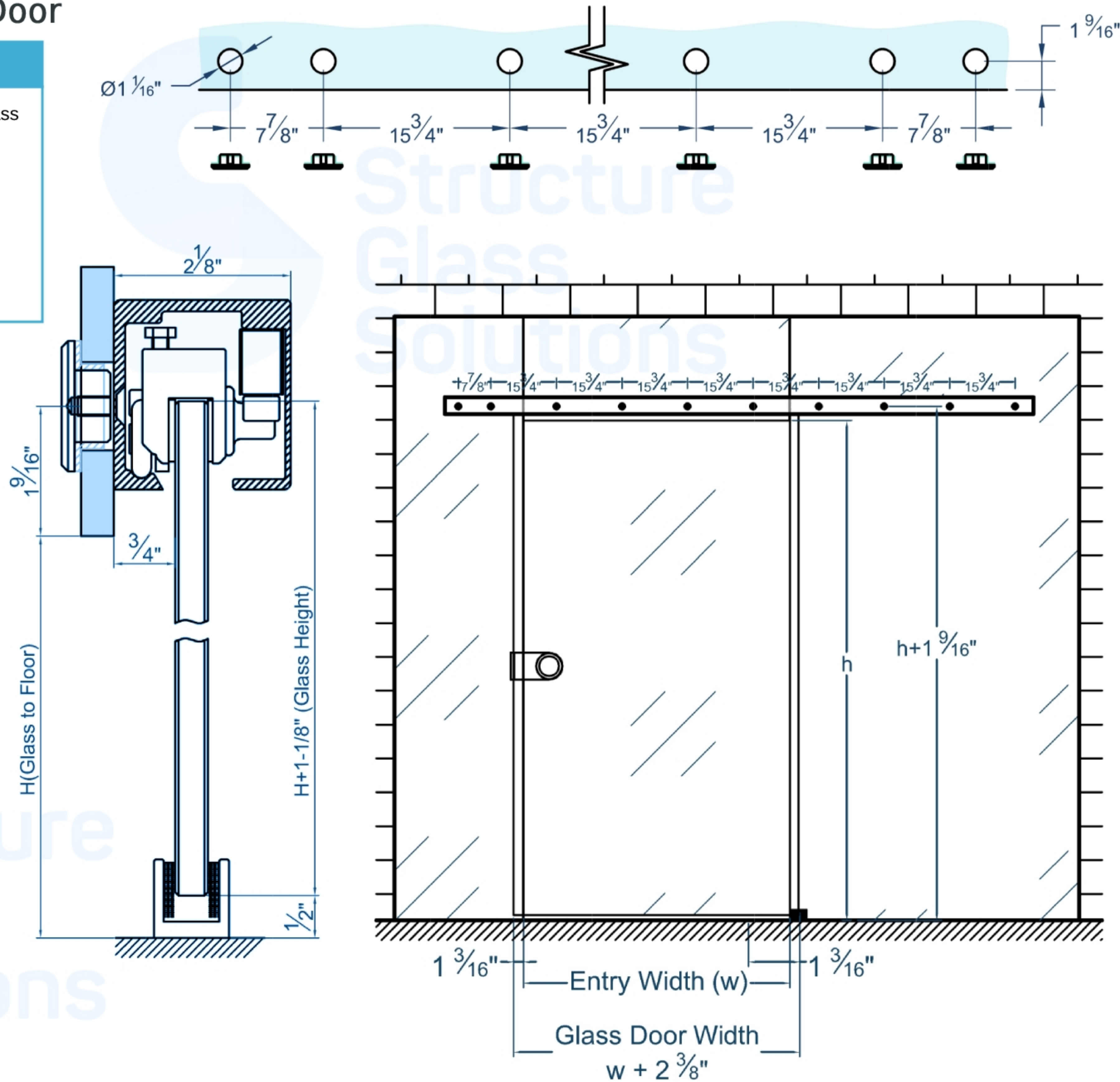
Glass Connectors Installation



MAX
330
LBS

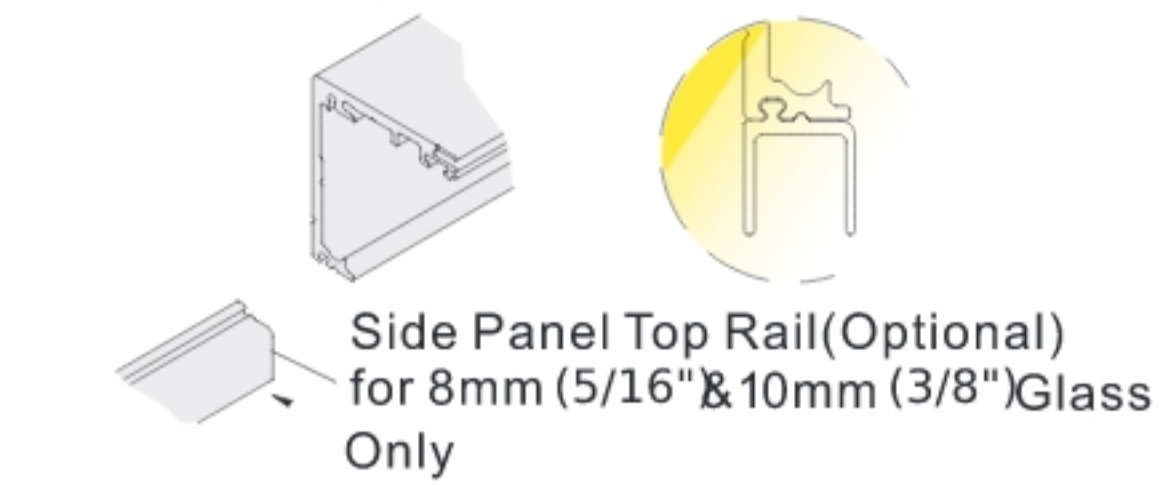
55"
MAX
WIDTH

Glass Connectors Distribution

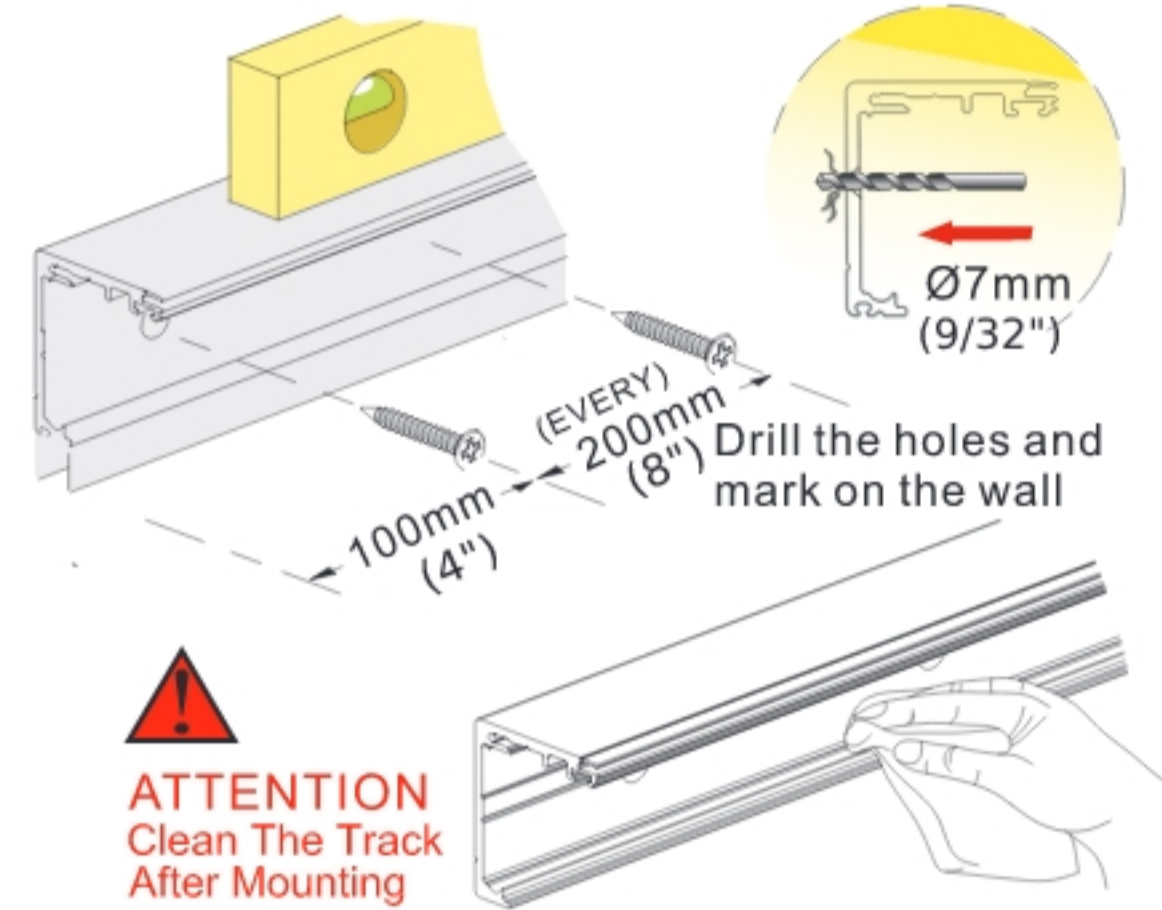


COVERT SERIES

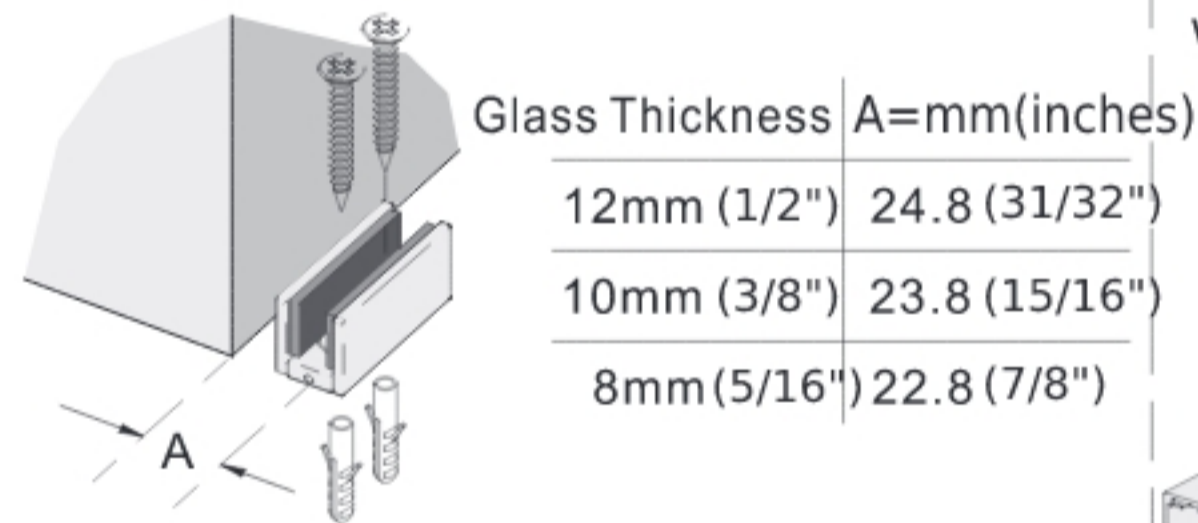
1. Side Panel Top Rail(Optional)



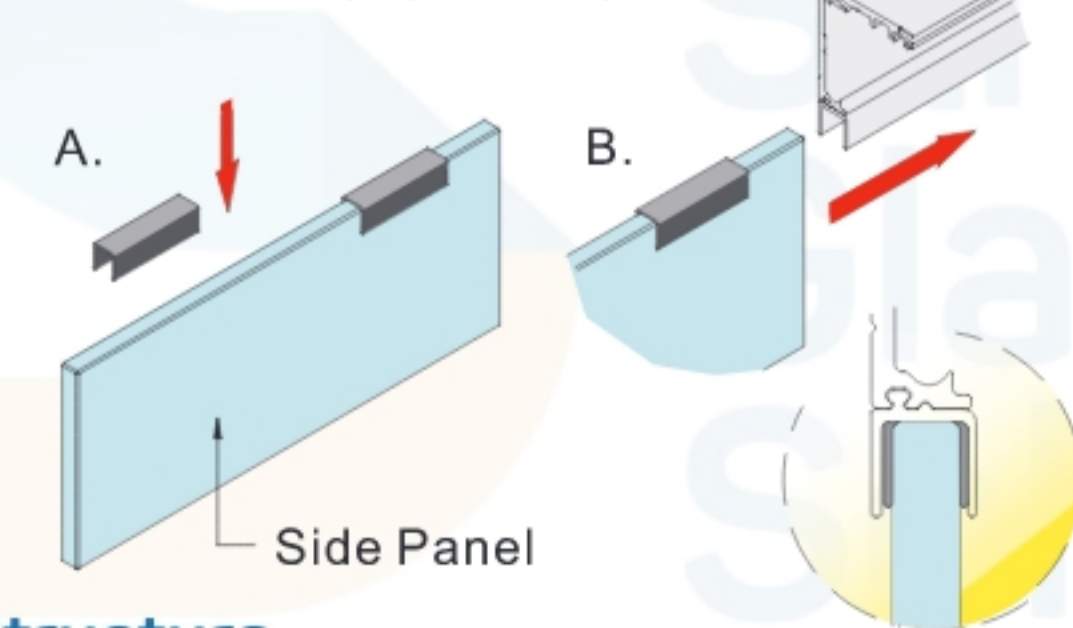
2. To Wall / Ceiling / Glass



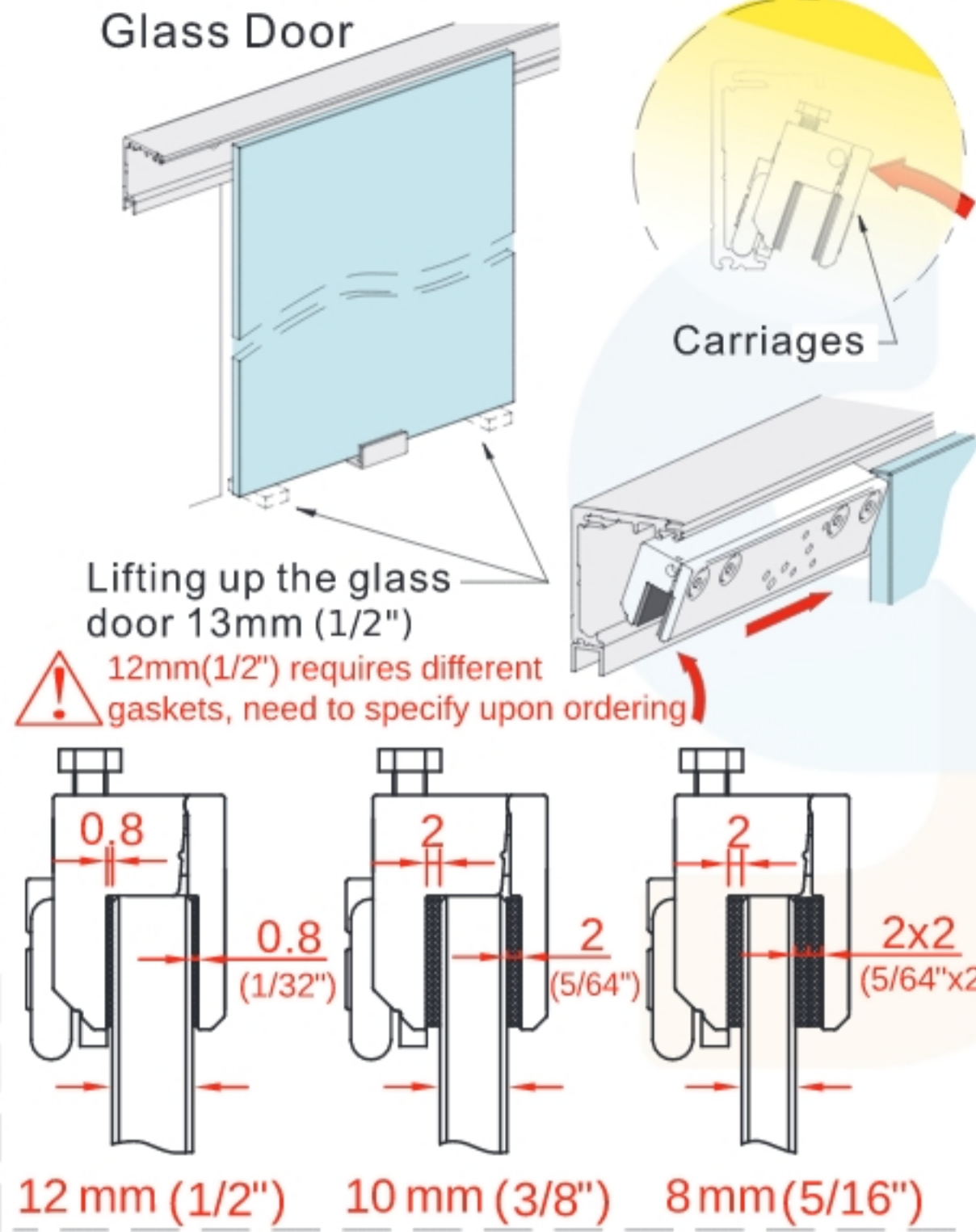
3. Bottom Guide (Adjustable glass)



4. Side Panel (Optional)

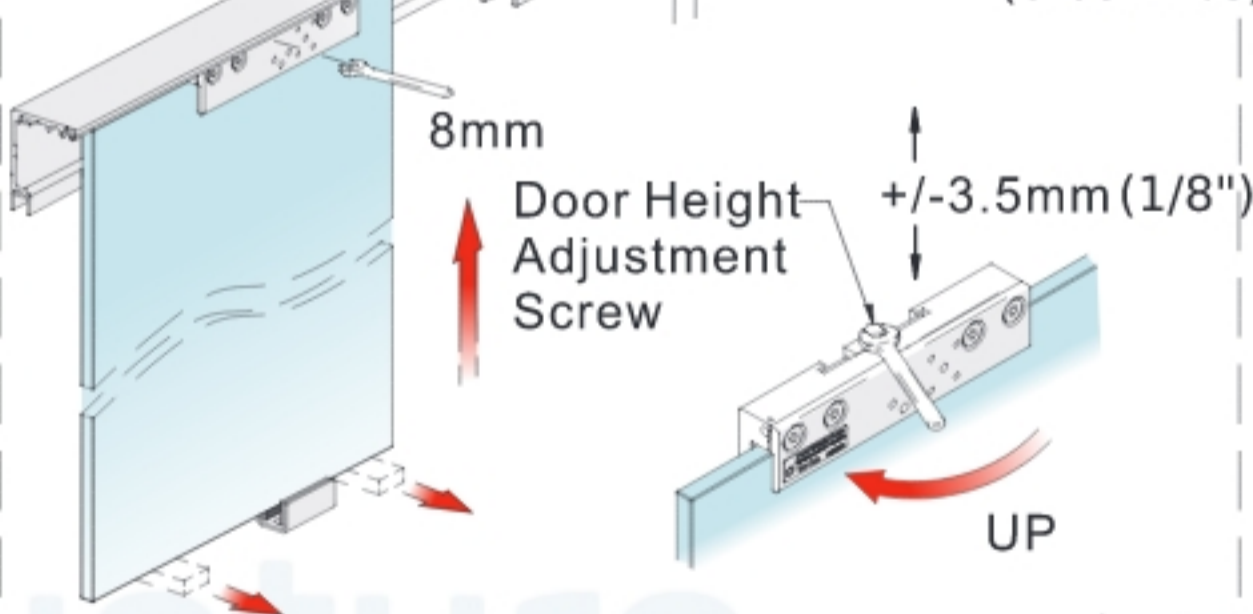


5. Standard for 8mm (5/16") & 10mm (3/8") Glass Door



6. A=mm(inches)

	A=mm(inches)
W / Stopper	50 (2")
W / Soft Closing	160 (6-3/8")

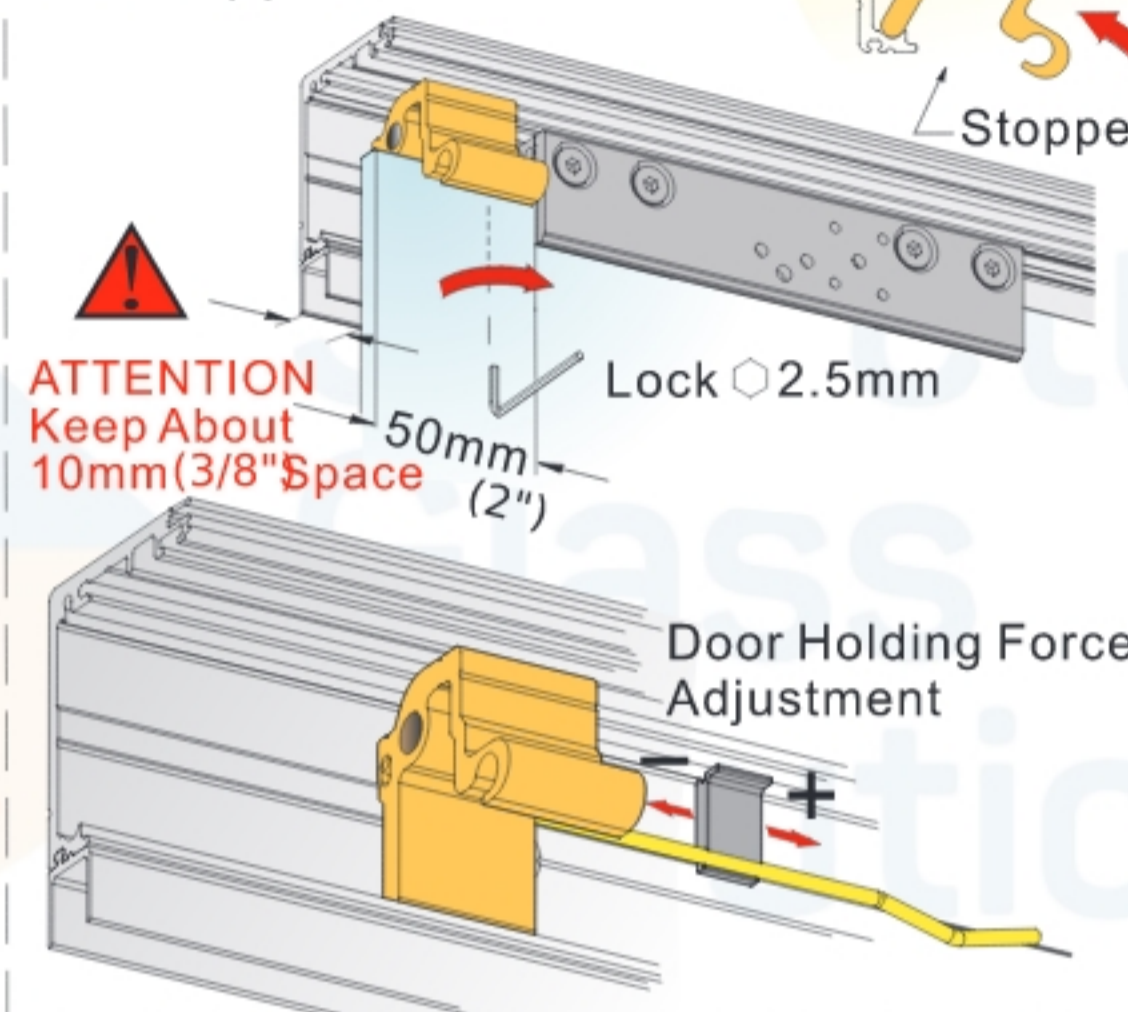


6-1. HEIGHT ADJUSTMENT Heavy Duty Carriage

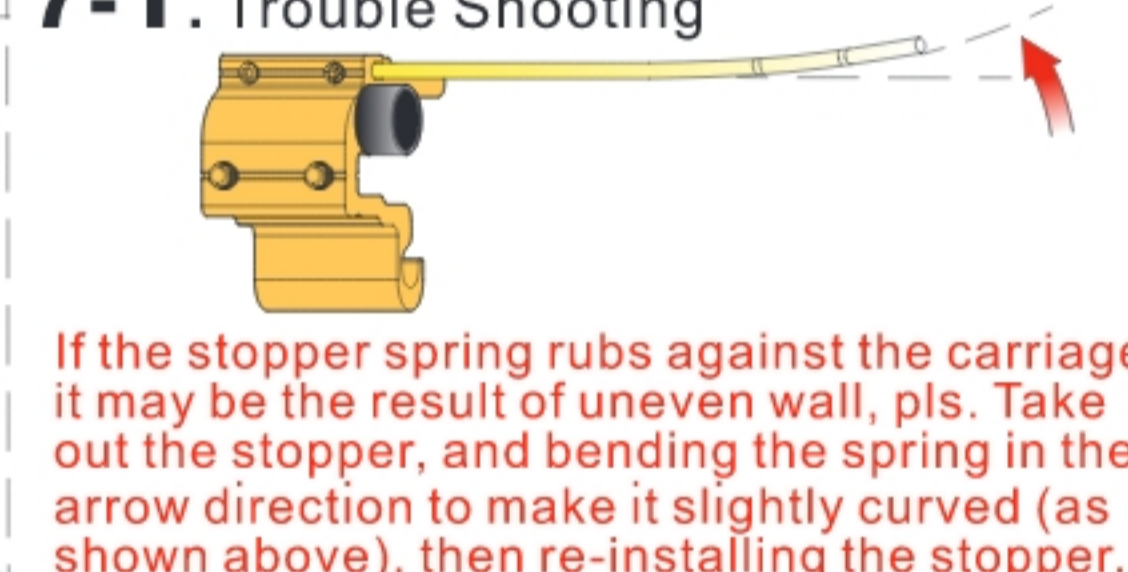
Ensuring rollers on both sides (total 4 rollers) touch on the rail before adjusting door height. Turn the height adjustment screw on both sides evenly and at the same time.

PLS SKIP STEP 8-10 FOR INSTALLING WITHOUT SOFT CLOSING DEVICE
PLS SKIP STEP 7 FOR INSTALLING SOFT CLOSING DEVICE

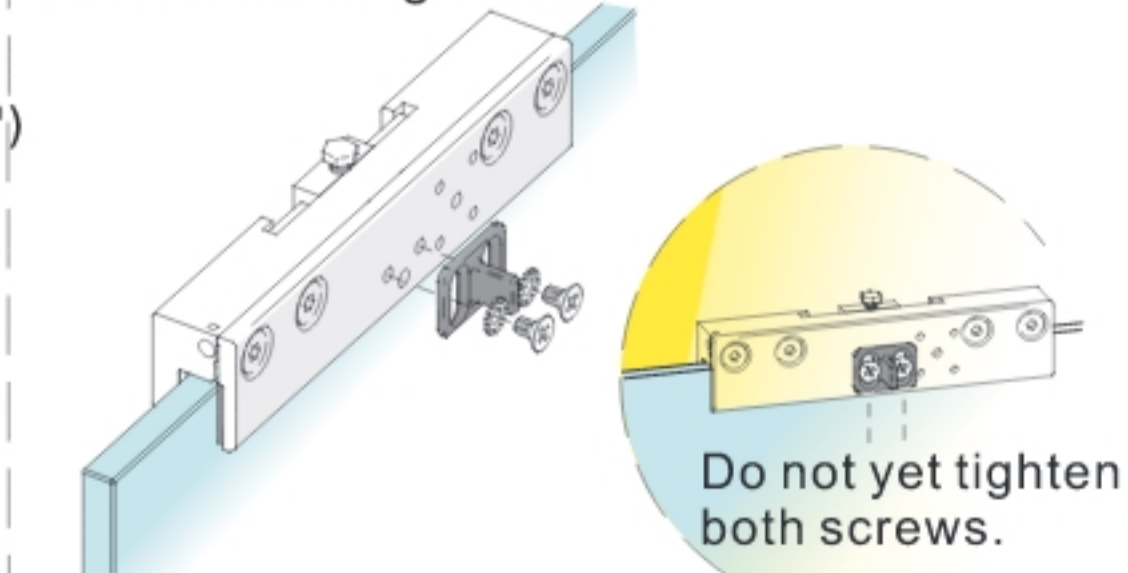
7. Stoppers



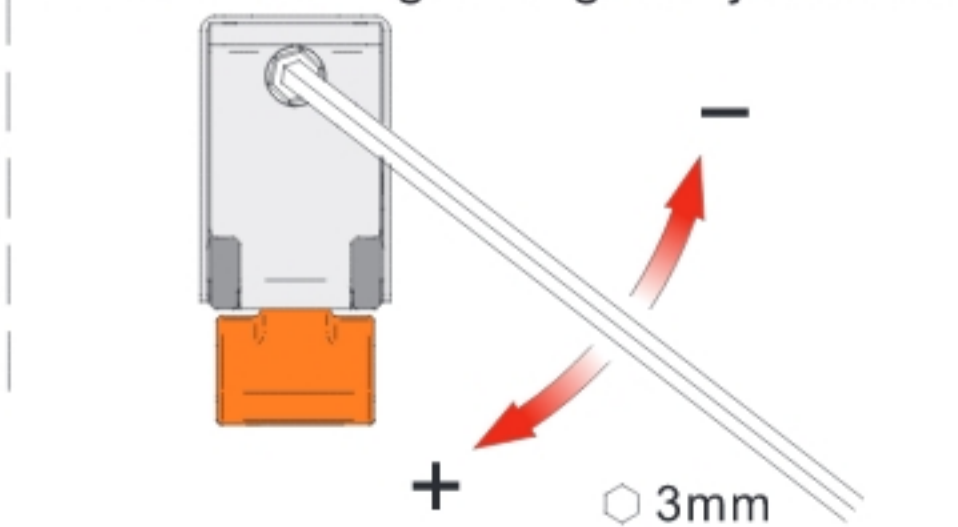
7-1. Trouble Shooting



8. Soft-closing catcher



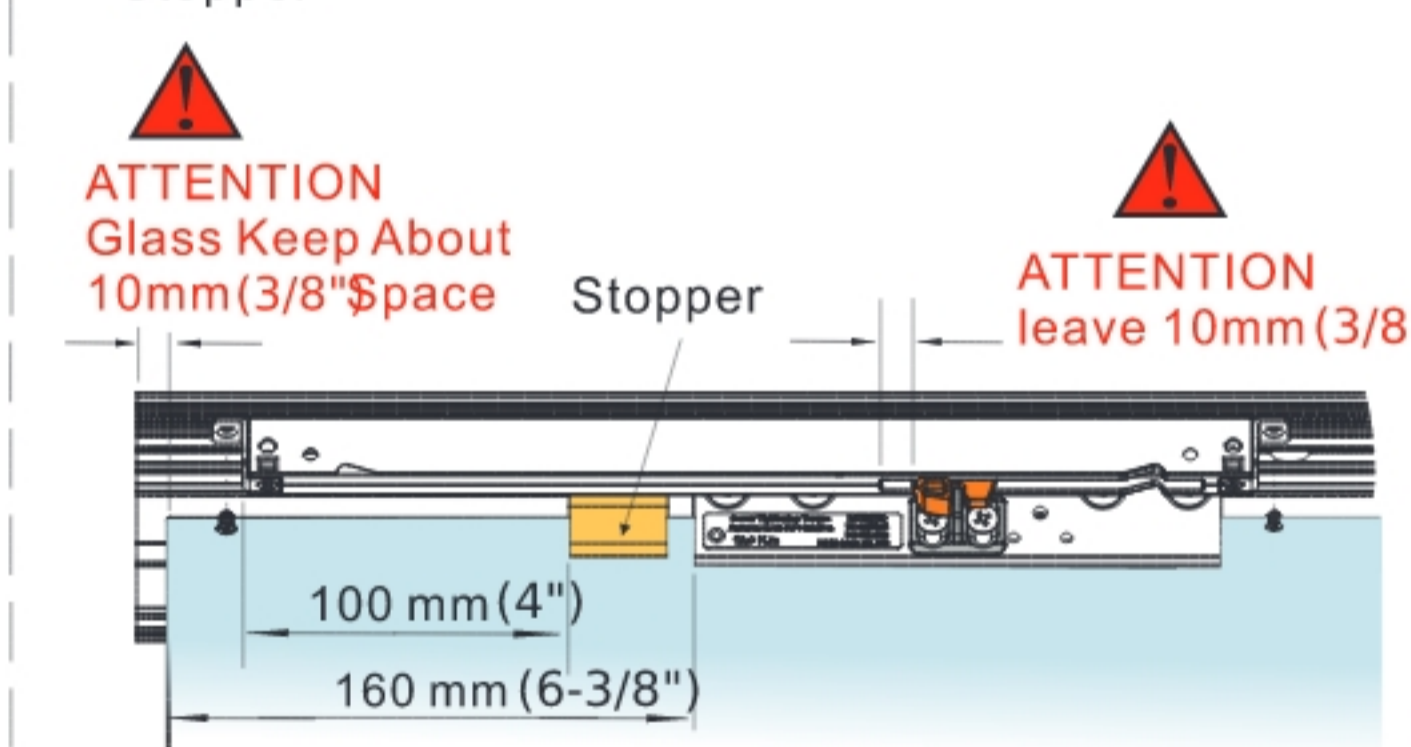
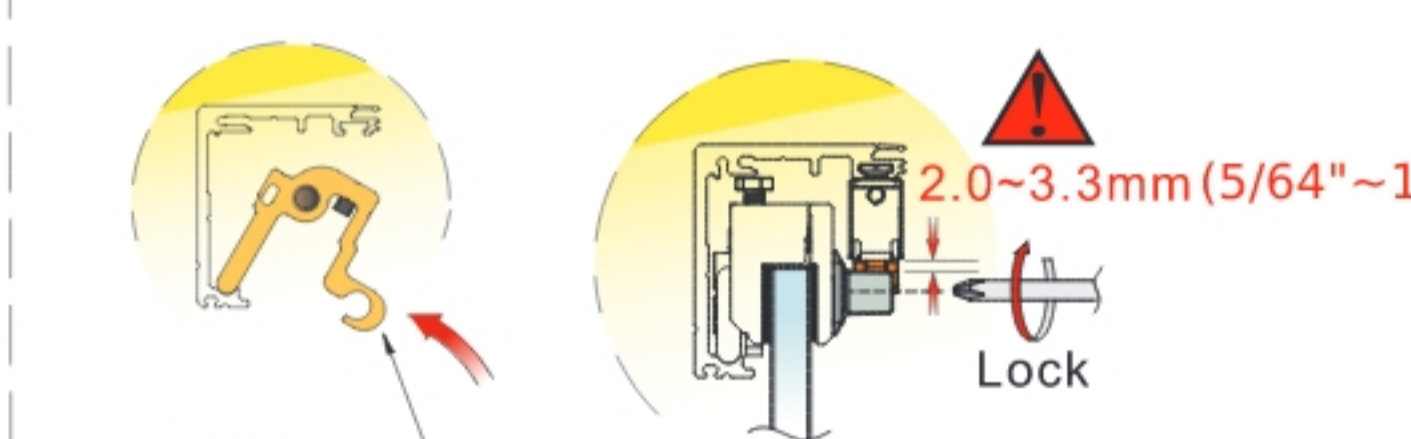
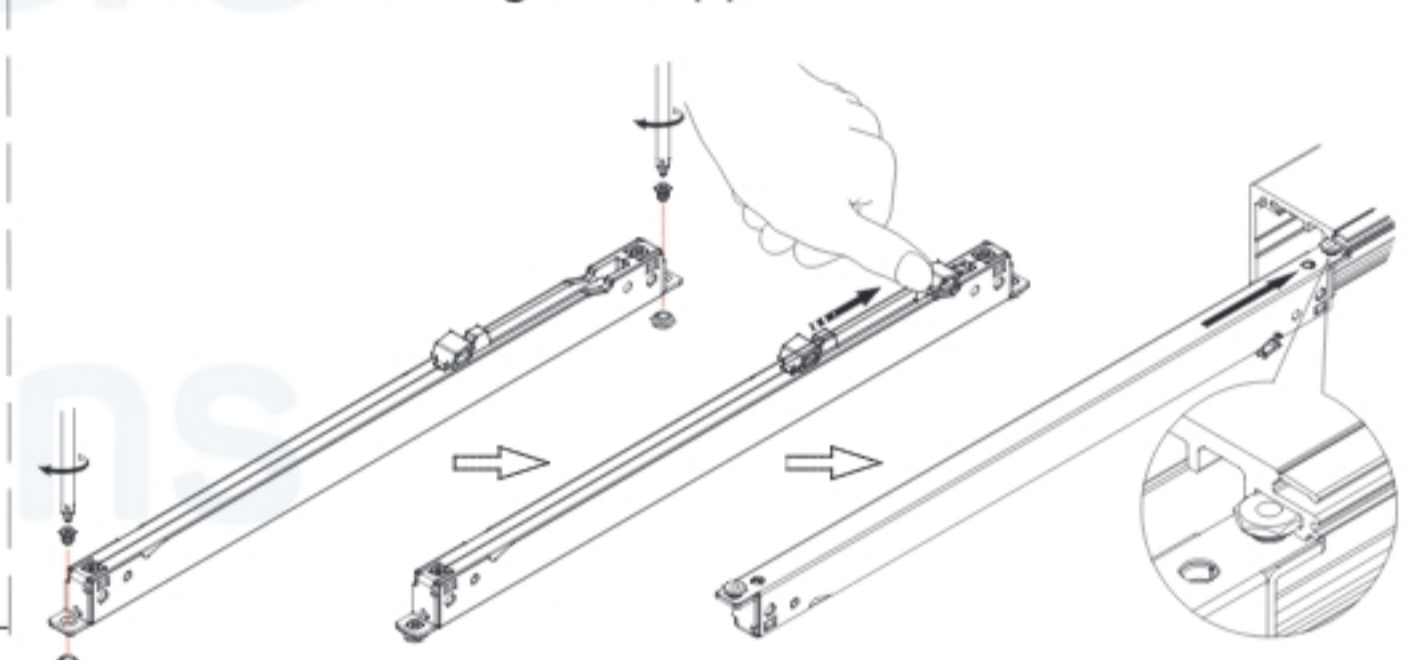
9. Soft-closing strength adjustment



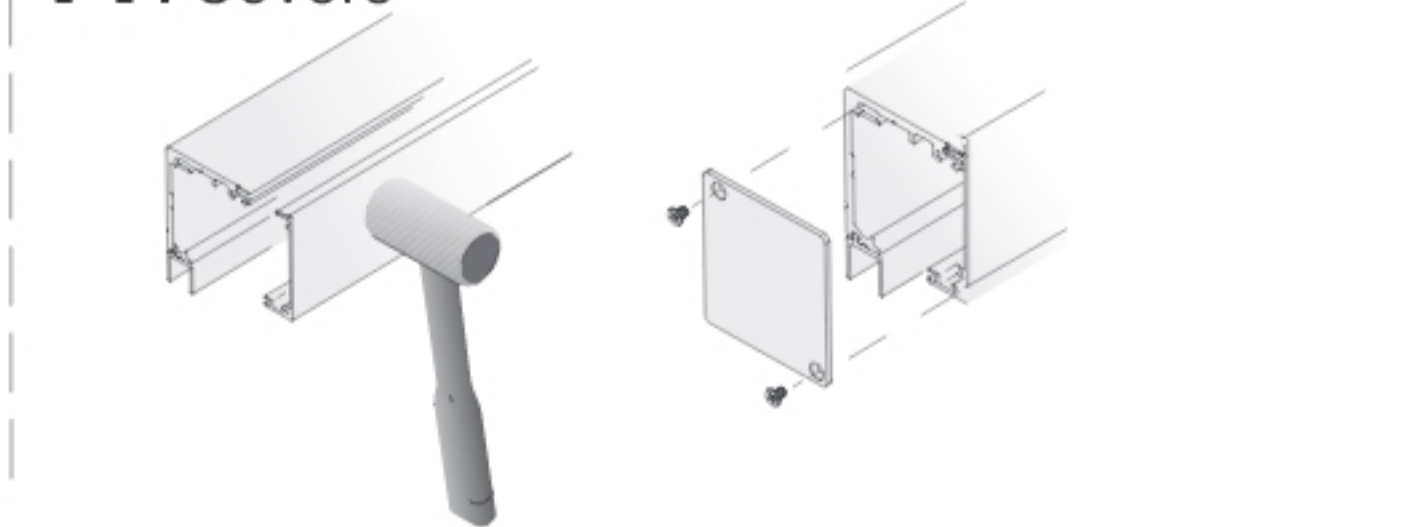
	Default	40Kgs(88Lbs)	80Kgs(176Lbs)	120Kgs(264Lbs)
15	60Kgs(132Lbs)	100Kgs(220Lbs)	135Kgs(297Lbs)	
30	80Kgs(176Lbs)	120Kgs(264Lbs)	150Kgs(330Lbs)	

Calculating Door Weight =
 Door height (cm)xDoor width (cm) x Door Thickness (cm) x0.0026 (density)
 Door height (inch)xDoor width (inch) x Door Thickness (inch) x0.0094 (density)

10. Soft-closing & Stopper



11. Covers



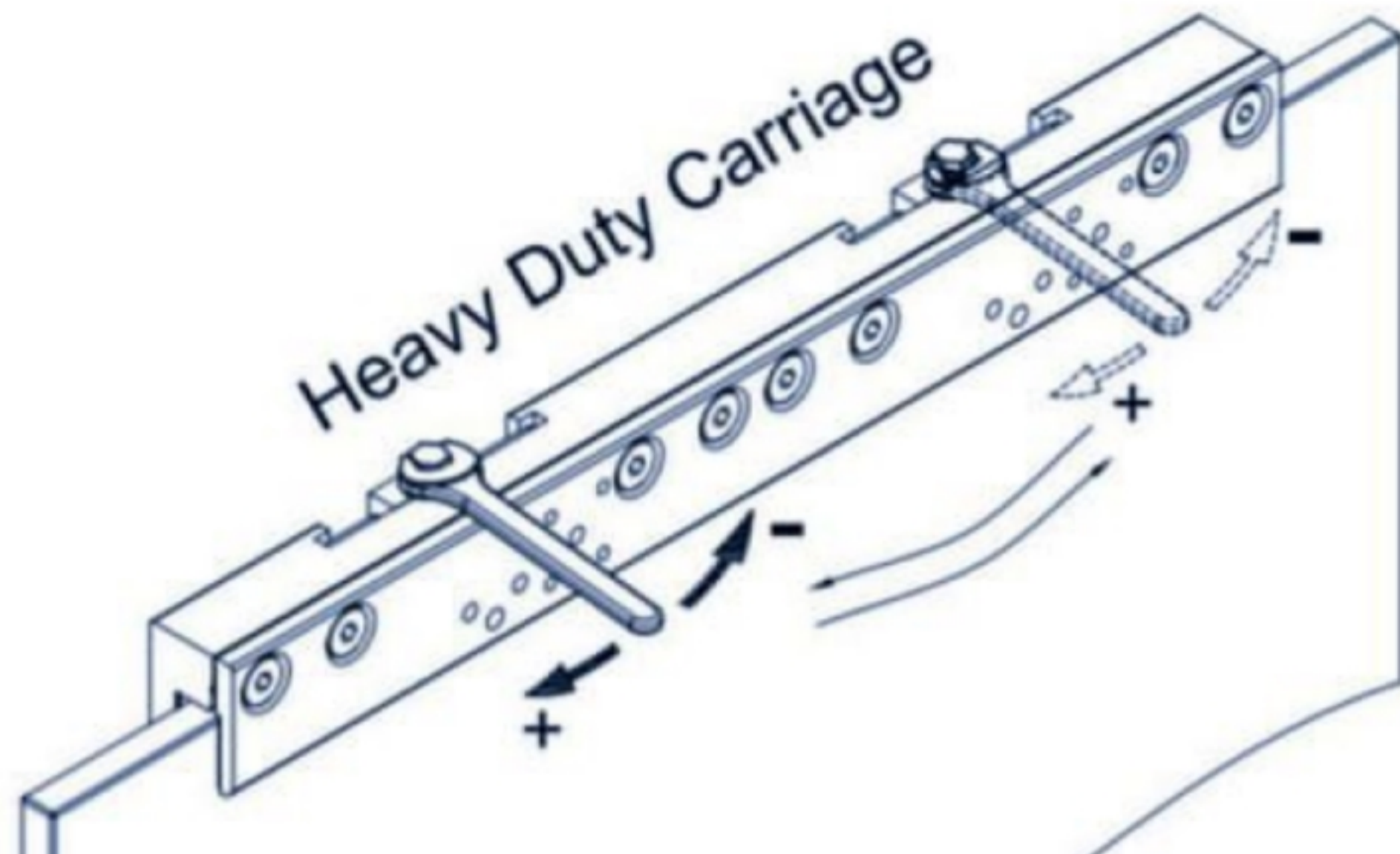
PATENTED IN MANY COUNTRIES



COVERT SERIES

Heavy Duty Soft Close Sliding System

HEIGHT ADJUSTMENT



Ensuring rollers on both sides (total 4 rollers) touch on the rail before adjusting door height.
Turn the height adjustment screw on both sides evenly and at the same time.

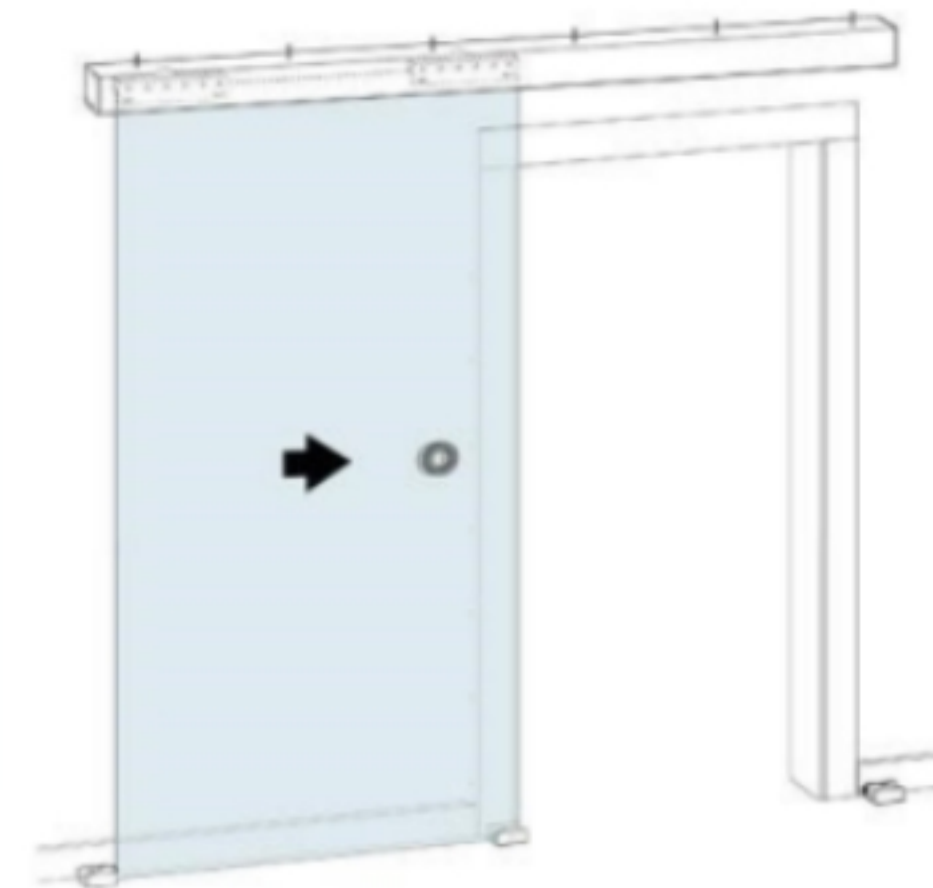


3 YEARS WARRANTY

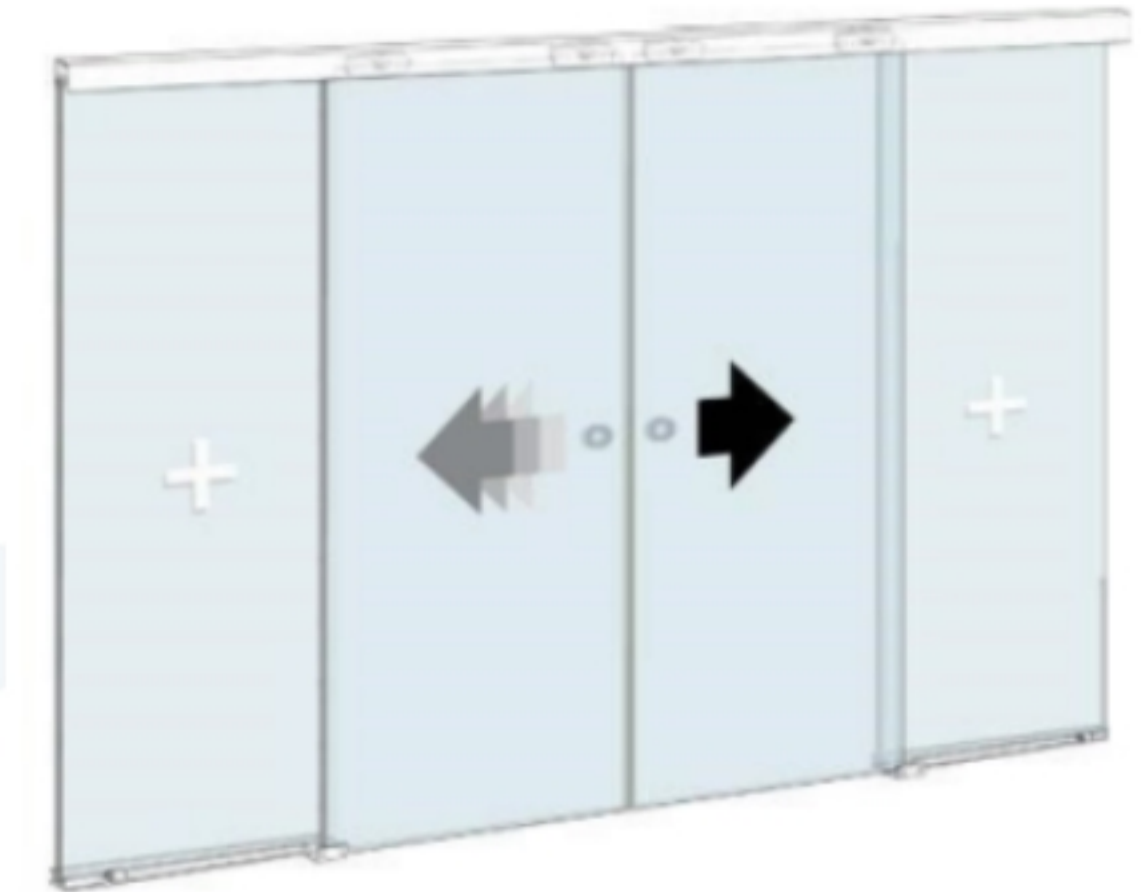
DIN EN 1527 CERTIFIED
100,000 CYCLES TESTED



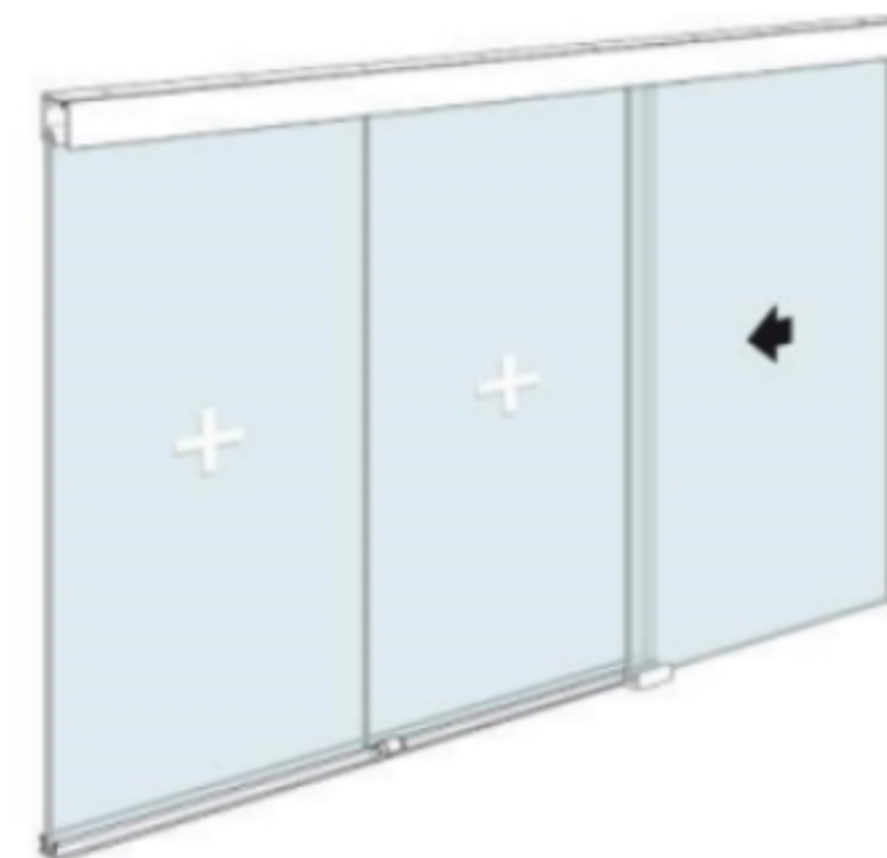
MULTIPLE CONFIGURATIONS



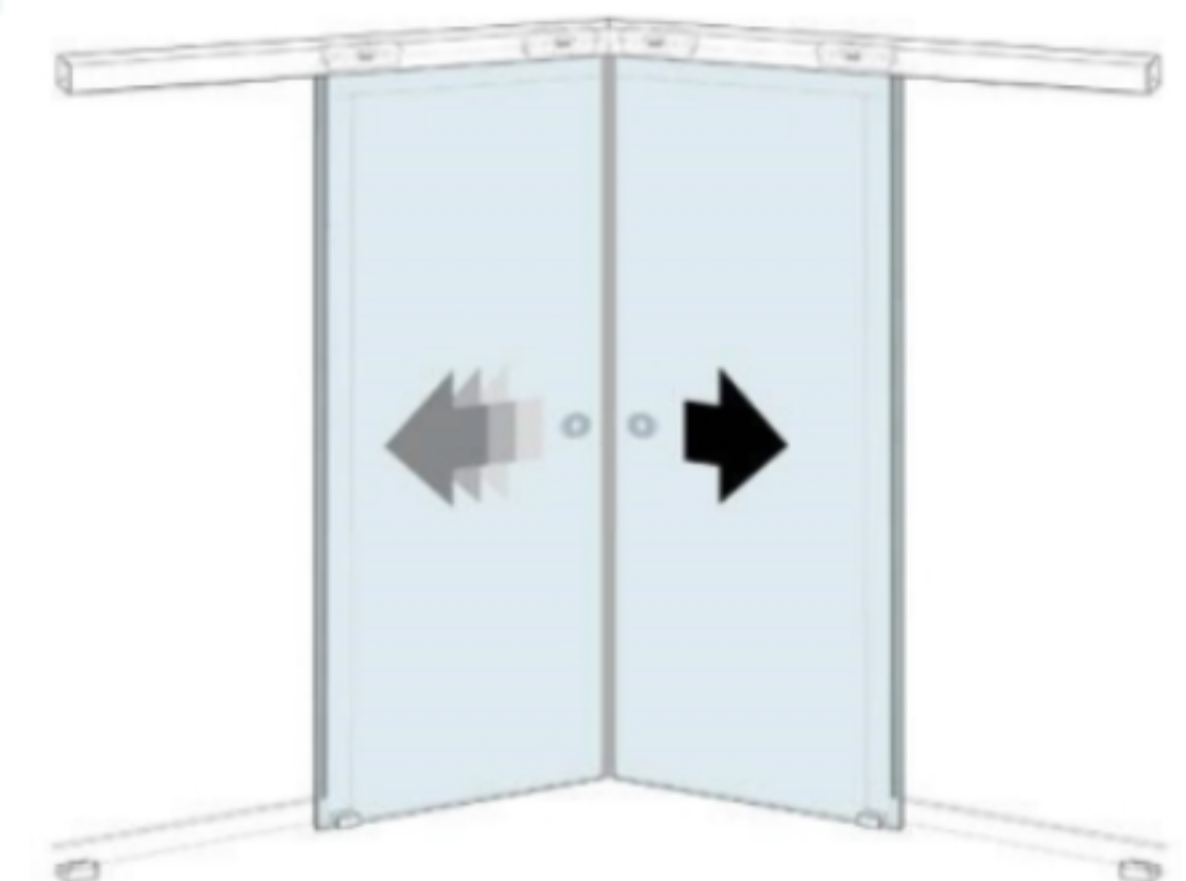
Single Glass Door Surface Mount



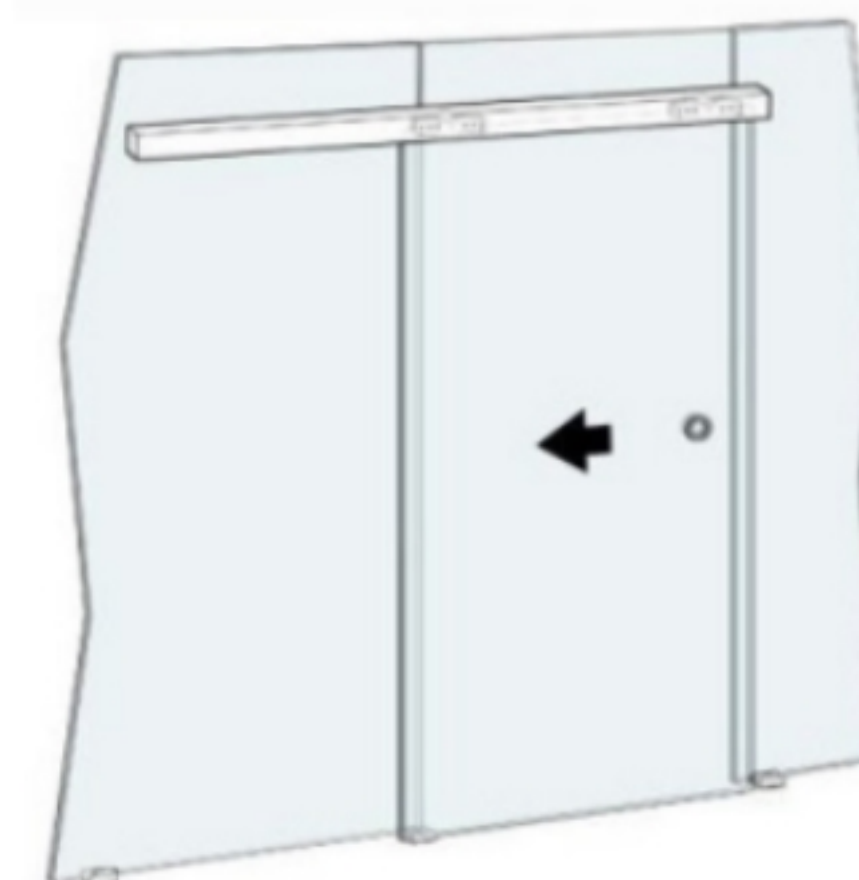
Bi Parting Double Glass Doors w/ 2 Fixed Panels



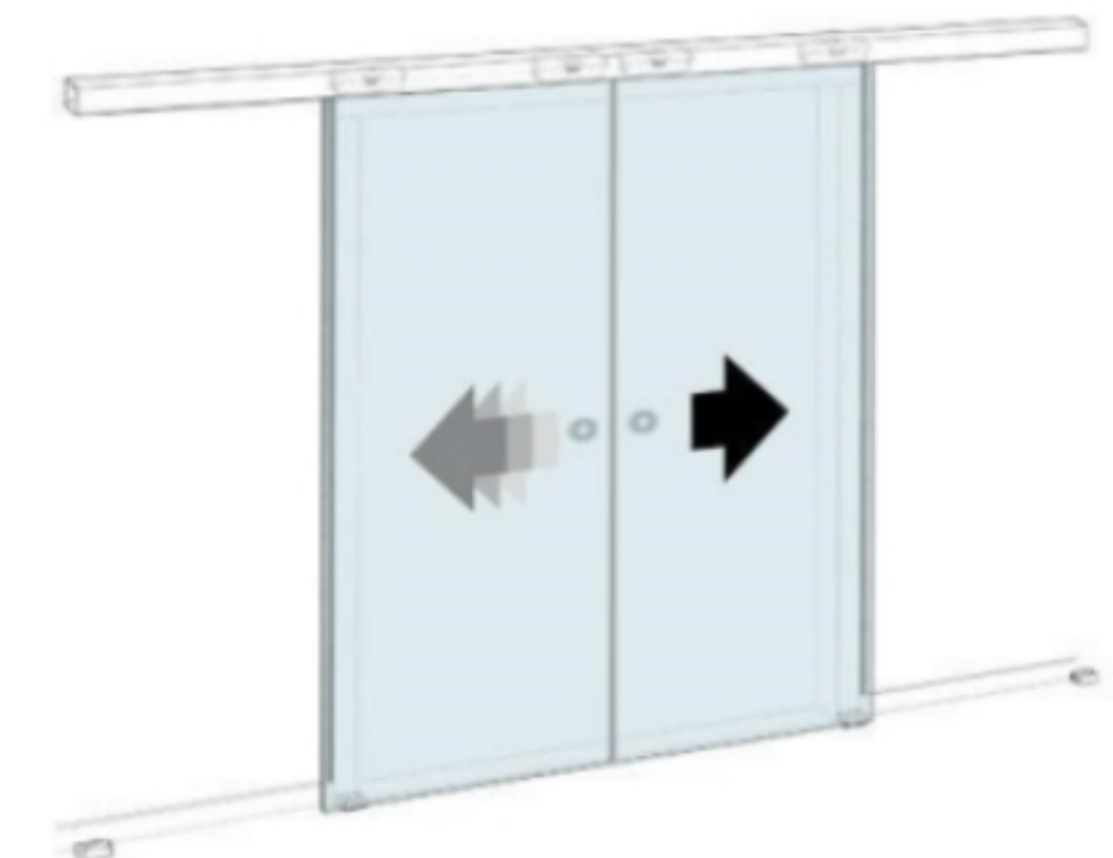
2 Fixed Glass Panels and 1 Sliding Glass Door



90° Corner Unit w/ Double Bi Parting Glass Doors



Single Glass Door Transom Mount



Bi Parting Double Glass Doors

